

# Datasheet-139

# 20Watt COB LED

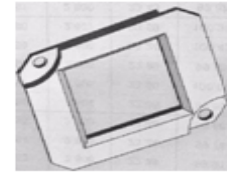
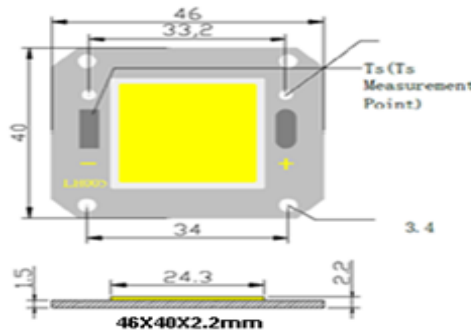
# KLFC3020W

- Flip chip Technology
- Small Size 46X40X2.2mm
- Wide Viewing angle :120°C
- RoHs Compliant

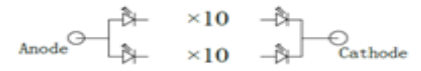
### Applications

- Street Lights
- Flood Lights

### 4.Package Dimensions



The Products Supporting Po Snaps



### Absolute Maximum Ratings

Parameter	Symbol	Max.	Units
Input power range Max	Pi	26.4	W
Operating current range	If	800	mA

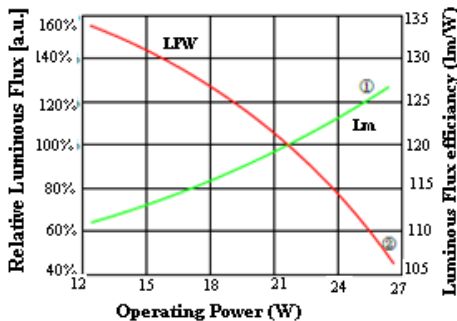
### Electro-Optical Characteristics at Tc=25°C

Parameter	Symbol	Condition	Min.	Typ.	Max.	LM/W (typ)	Unit
Forward Voltage	Vf	If=700mA	---	30	---	---	V
Luminous Flux	∅v	TC=6000K	2350	2500	2600	115	Lm
CRI	Ra	If=700mA	70	---	---	---	---
Operating Temperature Range	T <sub>op</sub>		-35°C To +100°C				
Storage Temperature Range	T <sub>stg</sub>	--	-40°C To +85°C				
Lead Soldering Temperature	T <sub>SOL</sub>		Max. 350°C for 5sec Max.				
R <sub>j</sub> Thermal Resistance	-		0.5°C/W				

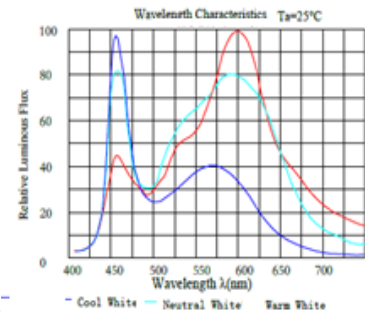
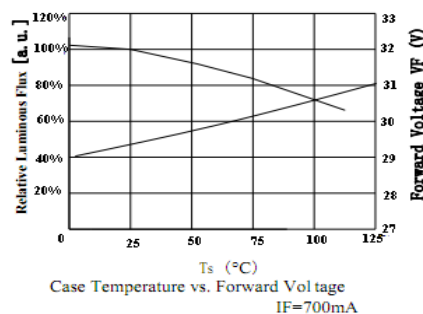
### Current v/s Vf CCT. Lumens, Lm/W

If (mA)	Vf(V)-Typ	CCT	∅v(Lm)-Typ	Lm/W-Typ[
400	29.5	5900	1650	140
500	30.0	5940	1990	132
600	30.5	5980	2300	125
700	31.0	6010	2600	119
800	31.5	6050	2860	113
900	32.0	6090	3110	107

### 7.Characteristics



Case Temperature vs. Relative Luminous Flux  
IF=700mA



**Notes:** LED should be used within 168 Hrs. of opening the package. Re-Vacuum Pack the unused LEDs.  
 Reflow Solder not permitted. Use hand solder. Set the iron @350°C x 5sec max. Cool the COB to Room Temp before going for second solder..

## LEDCHIP INDUS PRIVATE LIMITED

29A&B Electronics Complex, Kushaiguda Hyderabad 500 062 Ph 91-40-27123555  
 kwalitypolywa@gmail.com, sales@kwalitiyindia.com www.kwalitiphotonics.com