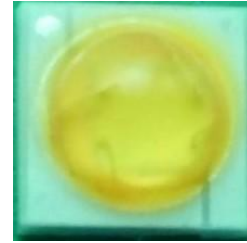
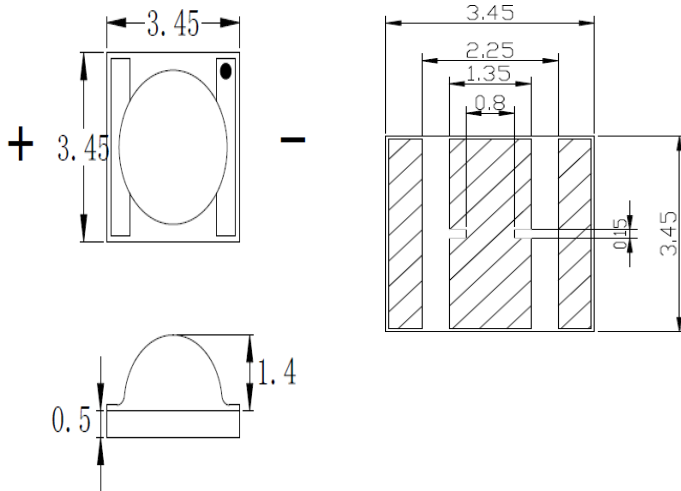


Datasheet No.107 1~3Watt LED KLHP3535W 130-140Lm

Packaging Dimensions

SMT pad layout



Absolute Maximum Rating at Ta = 25°C

Parameter	Symbol	Rating	Units
Input Power	Pi	2.7	W
Forward Current	IF	800	mA
Reverse Current	IR	10	µA
Junction Temperature	Tj	150	°C
Reverse Voltage	VR	5	V
View Angle	-	120	degrees
Electrostatic Discharge (HBM)	ESD	1000	V
Operating Temperature	Topr	-20°C to +85°C	°C
Lead soldering Temperature	TSOL	Max 350°C for 3sec Max.	

Electrical/Optical Characteristics at Ta = 25°C IF = 350mA

Parameters	Symbol	Min	TYP	Max.	Units	Test Condition
Forward Voltage	VF	2.8	3.2	3.6	V	IF=350mA
Luminous Flux	øV	130	--	140	lm	IF=350mA
Color Coordinated	X	--	0.32	--	--	IF=350mA
	Y	--	0.34	--	--	IF=350mA
Color Temperature	Tc	5300	5700	6100	K	IF=350mA
Color Rendering Index	CRI	70	--	--	Ra	IF=350mA

Electrical/Optical Characteristics at Ta = 25°C IF = 700mA

Luminous Flux	øV	230	--	240	lm	IF=700mA
Forward Voltage	VF	2.8	3.2	3.6	V	IF=700mA



LEDCHIP INDUS PRIVATE LIMITED

29A&B Electronics Complex, Kushaiguda Hyderabad 500 062 Ph 91-40-27123555

kwalitypolywa@gmail.com, sales@kwalitindyia.com www.kwalitiphotonics.com

