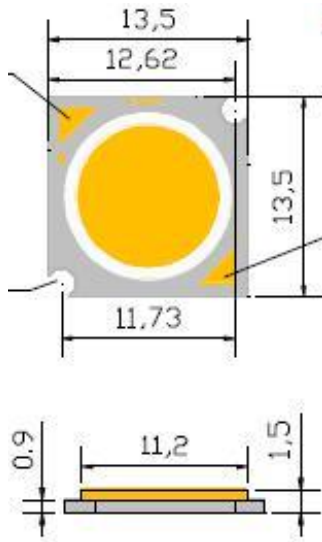


## Datasheet No.108 COB KLHC3609W 9W 815-980Lm



Related Parts	CCT	Lumens(Typ)	I <sub>max</sub>
KLHC3609W Sq 13.5 mm	5700	815-980 Lm	250 mA

### Electrical/Optical Characteristics at Ta = 25°C

Parameters	Symbol	Min	TYP	Max.	Units	Test Condition
Forward Voltage	V <sub>F</sub>	34	36	38	V	I <sub>F</sub> =250mA
Reverse Current	I <sub>R</sub>	--	--	10	μA	V <sub>R</sub> =5V
Luminous Flux 3609W	φ <sub>V</sub>	770	815	980	Lm	I <sub>F</sub> =200mA
Color Coordinated	X	--	0.32	--	--	I <sub>F</sub> =200mA
	Y	--	0.34	--	--	I <sub>F</sub> =200mA
Color Temperature	T <sub>c</sub>	--	5700	--	K	I <sub>F</sub> =200mA
Color Rendering Index	CRI	80	--	--	Ra	I <sub>F</sub> =200mA
Viewing Angle			120°			

### Absolute Maximum Rating at Ta = 25°C

Parameter	Symbol	Rating	Units
Input Power 3609W	P <sub>i</sub>	8.6	W
DC Forward Current 3609W	I <sub>F</sub>	200	mA
Junction Temperature	T <sub>j</sub>	115	°C
Reverse Voltage	V <sub>R</sub>	5	V
Electrostatic Discharge (HBM)	ESD	1000	V
Operating Temperature	T <sub>opr</sub>	-20°C to +85°C	°C
Lead Soldering Temperature	T <sub>sol</sub>	Max 350°C for 5 Sec Max	



**LEDCHIP INDUS PRIVATE LIMITED**  
 29A&B Electronics Complex, Kusahaiguda Hyderabad 500 062 Ph 91-40-27123555  
 kwalitypolywa@gmail.com, sales@kwalitiyindia.com www.kwalitiyphotonics.com

