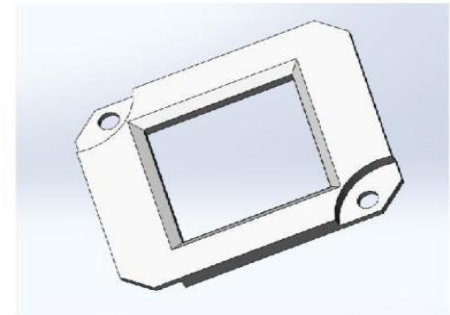
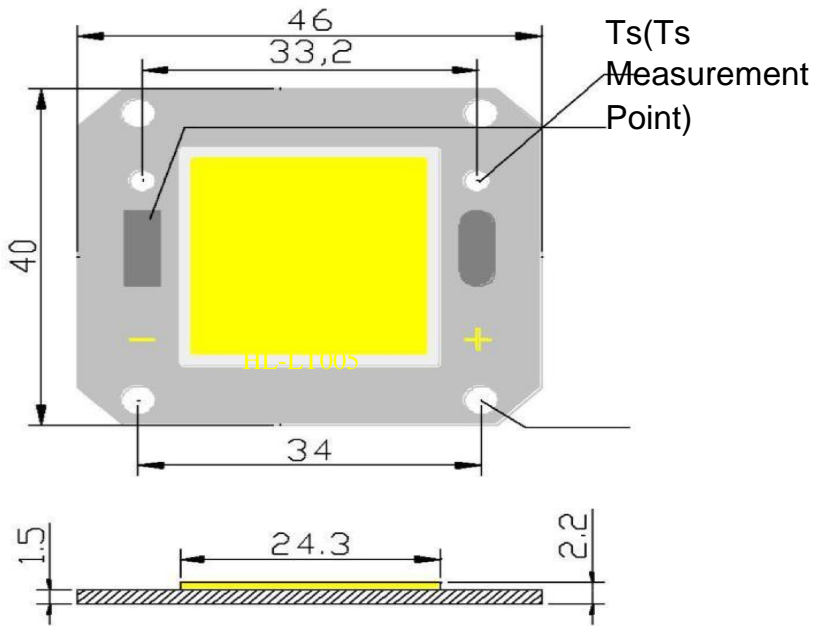
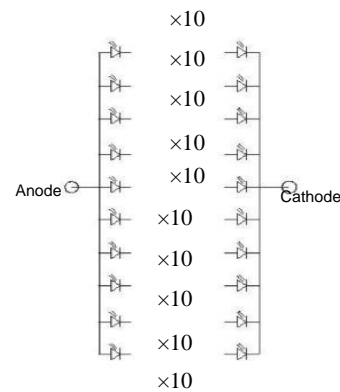


High Power COB LED

Package Dimensions



The products supporting PC snaps.



5. Performance

(1) Absolute Maximum Ratings

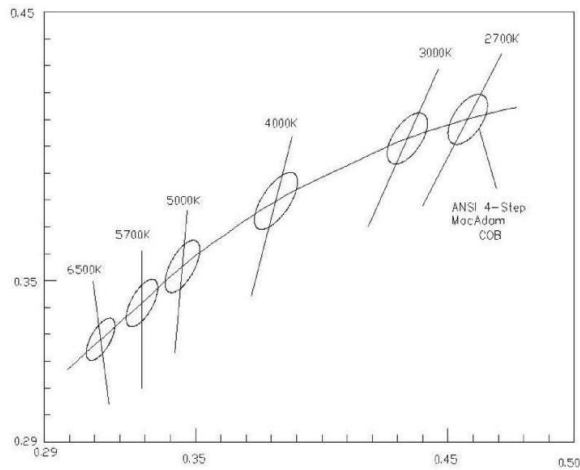
Parameter	Symbol	Rating Value	Units
Input power	P _i	128	W
Maximum operating current	I _{Fmax}	4000	mA
Junction Temperature	T _j	115	°C
Operating Temperature Range	T _{op}	-20°C To +85°C	
Storage Temperature Range	T _{stg}	-40°C To +100°C	
Lead Soldering Temperature *	T _{sol}	Max. 350°C for 5sec Max.	

Electro-Optical Characteristics at Tc=25°C

Parameter	Symbol	Condition	Min.	Typ.	Max.	LM/W	Unit
Forward Voltage	VF	IF=3500mA	30	31.5	34	--	V
Luminous Flux	Φ_v	TC=6500K	11000	12000	14400	110	LM
CRI	Ra	IF=3500mA	70	--	--	--	--
Thermal Resistance	R (j-c)	IF=3500mA	--	0.25	--	--	°C/W

6. Product bins

Chromaticity bins



LEDCHIP INDUS PRIVATE LIMITED

29A&B Electronics Complex, Kushaiguda Hyderabad 500 062 Ph 91-40-27123555

kwalitypolywa@gmail.com, sales@kwalitiyindia.com www.kwalitlyphotonics.com

