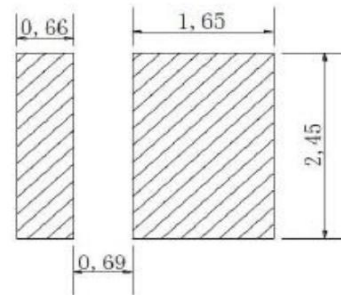
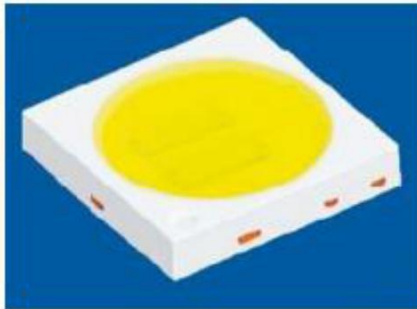
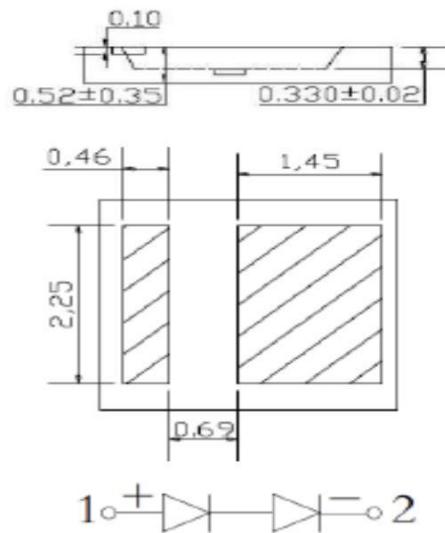
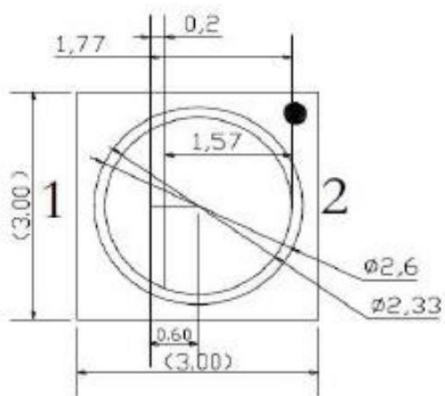


**Recommended Soldering Pattern**



**Package Dimensions**



**Production List**

CCT K Min.	CCT K Typ.	CCT K Max.	φ ( IM ) Min.	φ ( IM ) Max.	Test Conditions
2850	3000	3150	100	130	IF=150mA
3800	4000	4200	110	140	IF=150mA
6150	6500	6850	110	140	IF=150mA

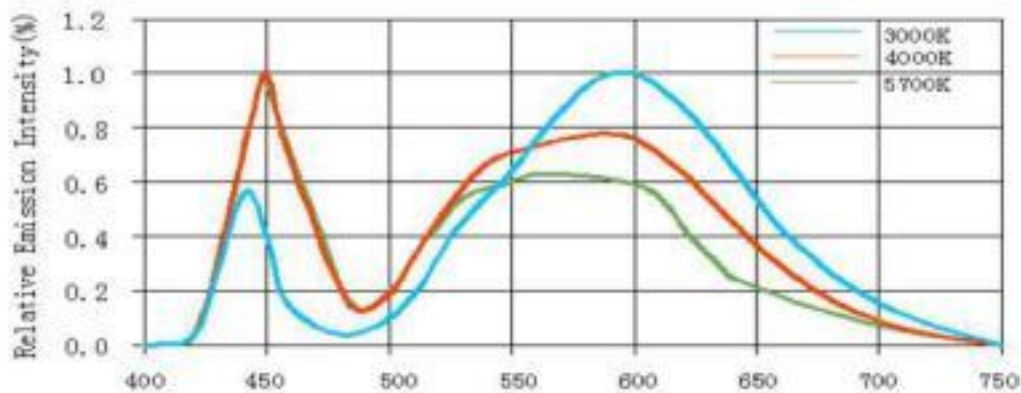
**Electrical / Optical Characteristics at Ta=25°C**

Parameter	Symbols	Min.	Typ.	Max.	Units	Test Conditions
Forward Voltage	VF	5.6	--	6.8	V	IF=150mA
Viewing Angle	2θ1/2	--	120	--	Deg	IF=150mA
Color Rendering Index	Ra	80	--	--	--	IF=150mA
Color tolerance	SDCM	--	--	6	--	IF=150mA
Electrostatic Discharge (HBM)	ESD	2000	--	--	V	IF=150mA

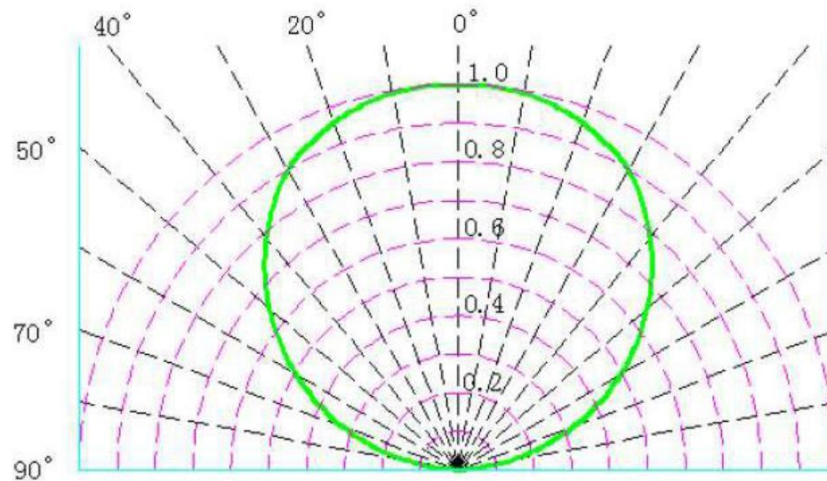
## Absolute Maximum Ratings at Ta=25°C

Parameter	Symbol	Rating	Units
Power Dissipation	Pd	1156	mW
Forward Current	IF	170	mA
Peak Forward Current [1]	IFP	250	mA
Operating Temperature	Topr	-35 ~ +100	°C
Storage Temperature	Tstg	-35 ~ +85	°C
Thermal Resistance ( Junction / Soldering point )	Rthj-s	10	°C/W
Junction Temperature	Tj	125	°C

## Spectrum Distribution



## Curves of beam angel and relative brightness



## LEDCHIP INDUS PRIVATE LIMITED

29A&B Electronics Complex, Kushaiguda Hyderabad 500 062 Ph 91-40-27123555

kwalitypolywa@gmail.com, sales@kwalitiyindia.com www.kwalitiphotonics.com

